

NITE BRITES

JOB NAME _____

TYPE _____

BIS-RLM SERIES - BLANCA

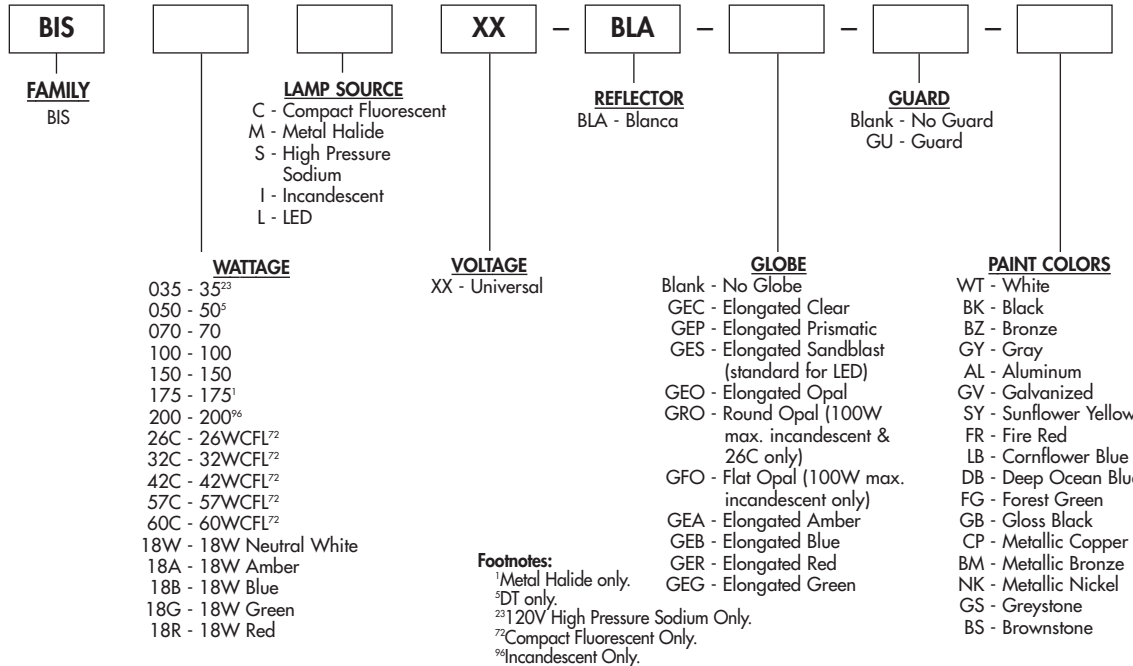
50-175 watt Metal Halide
 35-150 watt High Pressure Sodium
 26-60 watt Compact Fluorescent
 18 watt LED



The RLM Series offers unique designs and old standards to enhance the aesthetic appeal of restaurants, retail stores, businesses, and other areas where decorative reflector units are desired.

ORDERING MATRIX

SAMPLE CATALOG NUMBER: BIS1001XX-BLA-GEO-GU-BK



Footnotes:
¹Metal Halide only.
⁵DT only.
²³120V High Pressure Sodium Only.
⁷²Compact Fluorescent Only.
⁹⁶Incandescent Only.

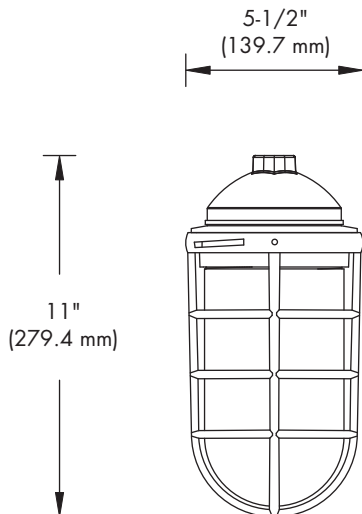
General Notes:
 All options are factory installed.
 Medium base lamp only.
 GX24q lamp base for 26-57W compact fluorescent.
 2G8 lamp base for 60W compact fluorescent.
 All accessories are field installed.

Warning: Refer to and follow the lamp manufacturer's warnings and instructions.

ACCESSORIES (order separately)

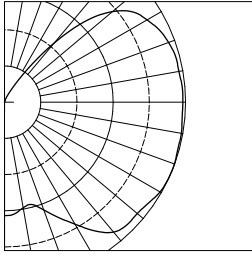
For additional descriptions of accessories, refer to sheet numbers DC-47900 and DC-47910.

DIMENSIONS

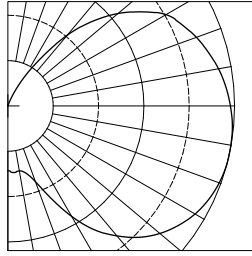


Day-Brite® Lighting

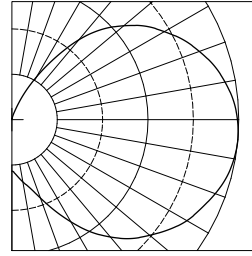
BIS - RLM SERIES - BLANCA DC-47150.1



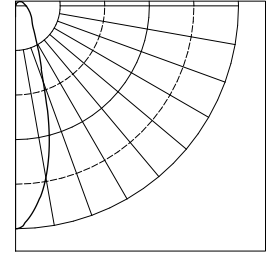
BIS100IXX-BLA-GEP
TEST NUMBER: 26228
LAMP: 100W A19
LUMENS: 1,680
MOUNTING HEIGHT: 12 FEET



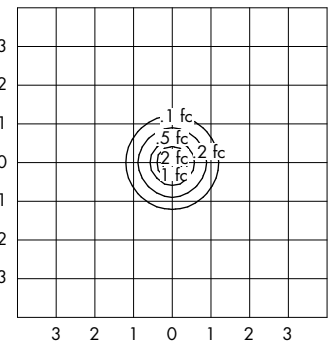
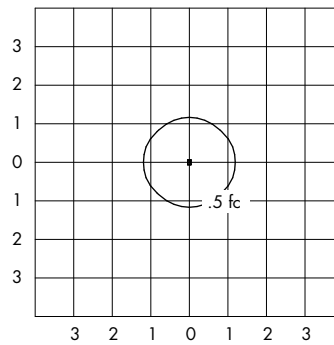
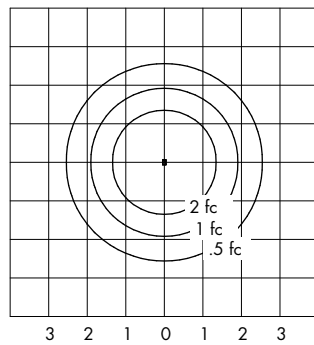
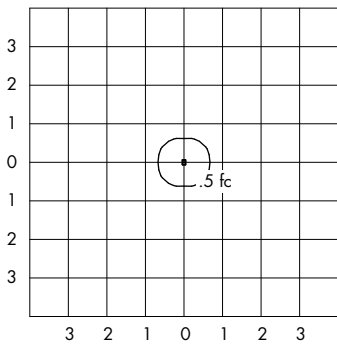
BIS175MXX-BLA-GEP
TEST NUMBER: 26226
LAMP: 175W MH, COATED
LUMENS: 15,000
MOUNTING HEIGHT: 12 FEET



BIS42CCXX-BLA-GEP
TEST NUMBER: 26300
LAMP: 42W CFL
LUMENS: 3,200
MOUNTING HEIGHT: 12 FEET



BIS18WLXX-BLA-GE5
TEST NUMBER: 27466
LAMP: 18W LED NEUTRAL WHITE
LUMENS: 700
MOUNTING HEIGHT: 12 FEET



UNITS SHOWN IN TERMS OF MOUNTING HEIGHT
INITIAL FOOTCANDLES SHOWN

PRODUCT FEATURES

- UL 1598 Listed for wet location and 25°C ambient for all lamp wattages listed.
- 1. 1/2" NPT threaded hub for easy, positive mounting.
- 2. Die cast aluminum pendant mount assembly with polyester powder finish.
- 3. Optional heat and shock resistant glass optical.
- 4. Optional die cast aluminum guard with polyester powder finish.

