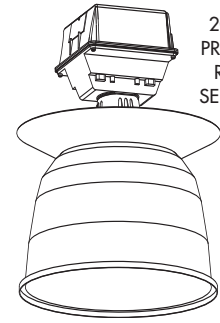




# INDUSTRA 4-LG LOW GLARE OPEN HIGH BAY WITH ADJUSTABLE UPLIGHT



2003 IES  
PROGRESS  
REPORT  
SELECTION

Day-Brite® Lighting

INDUSTRA 4-LG - LOW GLARE HIGH BAY WITH UPLIGHT

JOB NAME \_\_\_\_\_  
TYPE \_\_\_\_\_

150-400 watt Pulse Start Metal Halide

The Industra 4-LG Low Glare luminaire features adjustable uplight and a unique reflector assembly, providing application flexibility and higher visual comfort when compared to standard open aluminum high bays.

**PATENT PENDING**

## ORDERING MATRIX

SAMPLE CATALOG NUMBER: HBE400PMT-PSC-OR



**BALLAST ASSEMBLY**

- HBE
- HBD

(HBD requires an HBD-RD-WT

pendant assembly and HBD-PO24-WT pendant stem)

**LAMP SOURCE**

- P - Pulse Start Metal Halide (Ballast option must also be specified)
- M - Metal Halide (Enclosed Only)

**WATTAGE**

- 150 - 150
- 175 - 175
- 200 - 200<sup>31</sup>
- 250 - 250
- 320 - 320<sup>30</sup>
- 350 - 350<sup>30</sup>
- 400 - 400

**VOLTAGE**

- 12 - 120
- 20 - 208
- 24 - 240
- 27 - 277
- 34 - 347
- 48 - 480
- 2T - 208/277
- MT - 120/208
- 240/277
- TT - 120/277
- 347

**ACCESSORIES (ORDER SEPARATELY)**

- CH - Cover Half for Power Hook (use with PB)
- PB - Power Box for Power Hook (use with CH)
- HP12 - Hook-Cord-Plug Assembly 120V
- HP25 - Hook-Cord-Plug Assembly 208-240V
- HP27 - Hook-Cord-Plug Assembly 277V
- HP48 - Hook-Cord-Plug Assembly 480V
- HMR - Suspension Hook Male
- LMR - Suspension Loop Male
- SCB3 - Ballast Retainer Chain 3'
- WGN18 - Wire Guard 18"
- 18BE - Flat Tempered 18" Glass Bottom Enclosure

(Refer to Section 18000 for additional accessories.)

A17LG

**OPTIONS (add as suffix)**

- CUL - UL Listing to meet CSA standards
- WEB - Pulse Start Electronic Ballast (150, 200, 250, 350, 400 watt only) Consult factory for available voltages and ambient temperature rating.
- EP - Encased and Potted core and coil ballast for quiet operation<sup>48</sup>
- OR - Open Rated Socket
- PSC - Pulse Start CWA ballast
- PSM - Pulse Start Magnetic Regulated Ballast (175, 200, 250 and 400 watt only)<sup>49</sup>
- PSR - Pulse Start Reactor Ballast (150, 200, 250, 320, 350, 400 watt, 277 volt only.)
- Q - Quartz Standby
- QEM - Quartz Emergency<sup>40</sup>
- QTD - Quartz Time Delay
- WDF - Wired Double Fuse<sup>45</sup>
- WSF - Wired Single Fuse<sup>46</sup>
- HL - HI/LO Ballast<sup>46</sup>
- 65 - 65°C Ambient<sup>48</sup>

**OPTICAL ASSEMBLY**

- A17LG - Open 17" Low Glare Aluminum Reflector with Variable Uplight (must use "OR" option)
- A17LGE - Enclosed 17" Low Glare Aluminum Reflector with Variable Uplight

**OPTICAL OPTIONS**

- SIL - Day-Sil™ Silicone finish on reflector

**Footnotes:**

- <sup>30</sup>Pulse Start Metal Halide Only.
- <sup>31</sup>Not available in standard Metal Halide.
- <sup>40</sup>Requires 120 volt secondary power supply.
- <sup>41</sup>Use with 208, 240 and 480 volt.
- <sup>42</sup>Use with 120, 277 and 347 volt.
- <sup>45</sup>May require deep ballast housing.
- <sup>46</sup>Must specify voltage.

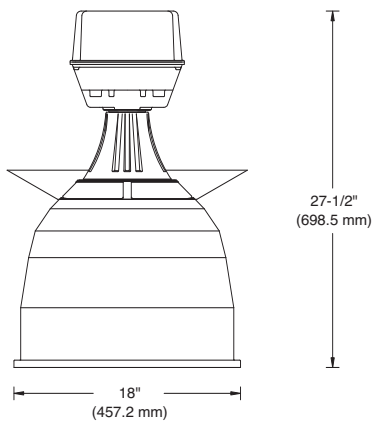
**General Notes:**

- All accessories are field installed.
- Mogul base lamps only.
- Phosphor coated lamp only.
- ED28 jacket size lamp required.
- All options factory installed.

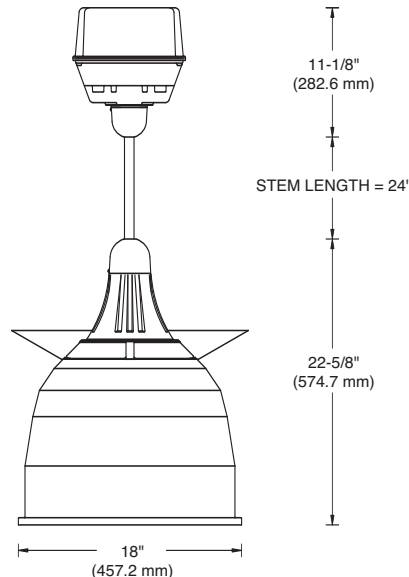
**Warning:** Many Metal Halide lamps are rated for enclosed fixture only. Some lamps are specifically rated for open fixtures and require an open rated socket (option code- "OR"). Refer to and follow the lamp manufacturer's warnings and instructions.

## DIMENSIONS

A17LG/A17LGE-HBE



A17LG/A17LGE-HBD



## ENERGY DATA

**METAL HALIDE**

HX BALLAST INPUT WATTS  
150 watt-185 watts

**BALLAST INPUT WATTS**

	BALLAST INPUT WATTS	
	CWA	WEB
150 watt	189 watts	163 watts
175 watt	210 watts	—
200 watt	232 watts	213 watts
250 watt	295 watts	263 watts
320 watt	368 watts	—
350 watt	400 watts	363 watts
400 watt	458 watts	413 watts

**HB-10025**

## HBE 400W PSMH A17LG/POSITION 1

MEDIUM SPREAD S/MH = .4

TEST NO. 23420P

DISTRIBUTION CURVE	COEFFICIENTS OF UTILIZATION										AVERAGE BRIGHTNESS				ZONAL SUMMARY				CANDLEPOWER								
	EFFECTIVE FLOOR CAVITY REFLECTANCE 20 PER (pfc=0.20)										ZONE	END	45	CROSS	Degrees	Lumens	% Lamp	% Fixture	Angle	Avg. Candela	Angle	Avg. Candela					
	CEIL 80 70 50 30 10										45	20222	20783	21758	(0-30)	14987	37.5	55.2									
	WALL 70 50 30 10 70 50 30 10 50 30 10 50 30 10										55	4536	4596	4524	(0-40)	20057	50.1	73.8	0	51064	95	1					
	RCR										65	388	404	372	(0-60)	22273	55.7	82.0	5	42019	105	570					
	0										78	78	78	75	75	75	69	69	69	63	63	63	58	58	58		
	1										74	72	70	68	71	69	68	66	64	63	62	60	59	58	55	55	54
	2										70	66	63	61	67	64	62	59	60	58	56	55	53	51	50		
	3										66	61	58	55	64	60	56	54	56	53	51	53	51	49	50	48	47
	4										62	57	53	50	60	55	52	49	52	50	47	50	47	45	47	45	44
	5										59	53	49	46	57	52	48	45	49	46	44	47	44	42	44	42	41
	6										56	50	45	42	54	48	45	42	46	43	41	44	41	39	42	40	38
	7										53	46	42	39	51	45	42	39	43	40	38	42	39	37	40	38	36
8										50	44	40	37	49	43	39	36	41	38	35	39	37	35	38	35	34	
9										48	41	37	34	46	40	37	34	39	36	33	37	35	33	36	34	32	
10										46	39	35	32	44	38	35	32	37	34	31	36	33	31	34	32	30	

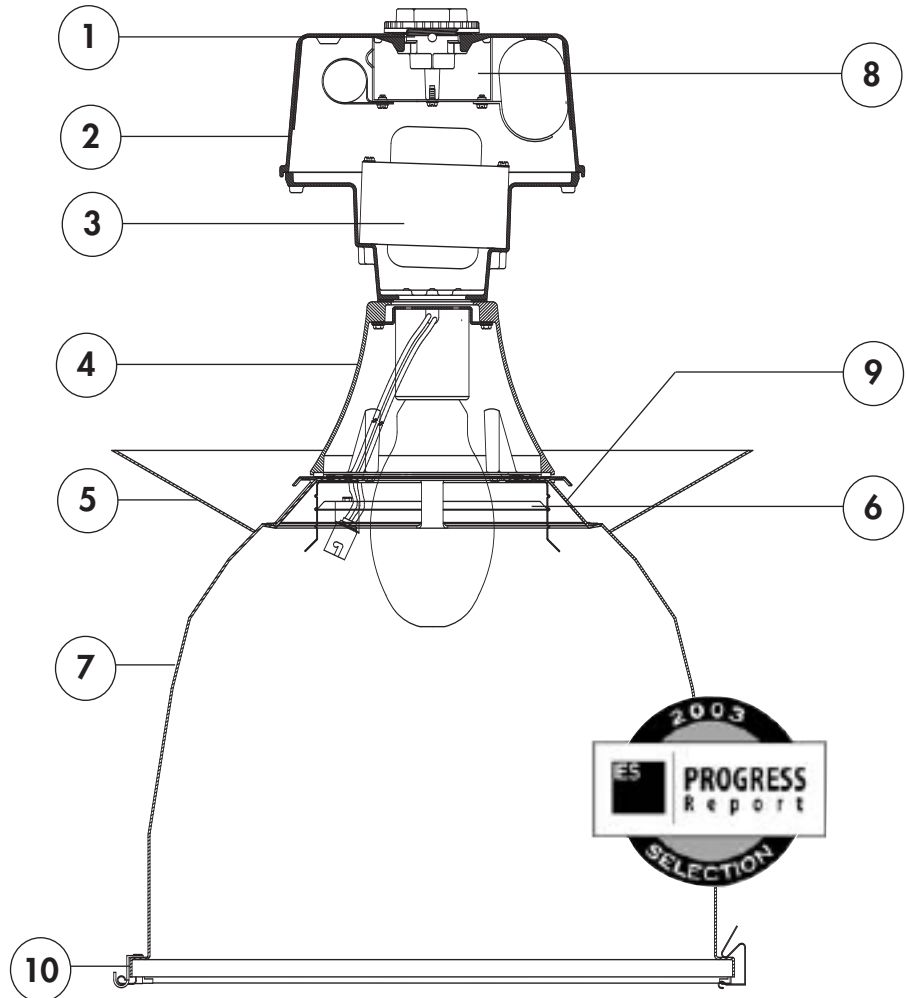
COMPARATIVE YEARLY LIGHTING ENERGY COST PER 1000 LUMENS = \$4.07 BASED ON 3000 HRS. AND \$.08 PER KWH. LER=59

These photometric results were obtained in the Day-Brite Lighting Laboratory which is NVLAP accredited by the National Institute of Standards and Technology.

### PRODUCT FEATURES

UL 1598 Listed suitable for damp location and 55°C ambient for all lamp wattages listed with magnetic ballast. Consult factory for ambient temperature rating for electronic ballast (WEB option).

- 3/4" threaded cast aluminum nut and hub for easy, positive mounting.
- Heavy wall, two piece die cast aluminum housing with white polyester powder finish.
- Day-Brite "Slant 2" ballast mounting for cooler operation. Ballast has high temperature class H insulation and a minimum starting temperature of -40°C (-40°F) for HPS and Pulse Start MH or -30°C (-20°F) for MH.
- Die cast aluminum neck provides positive mounting of reflector to ballast assembly and field adjustable light distribution patterns.
- Spun aluminum upright shield.
- Internal aluminum reflector for adjustable uplight.
- Precision spun, heavy gauge aluminum polished reflector with clear anodized finish.
- Large wiring access with captive retainer screw.
- Clear borosilicate glass upright cone. (Enclosed version only)
- Hinged door with tempered glass lens. (Enclosed version only)



Visit our web site at [www.daybritelighting.com](http://www.daybritelighting.com)

776 South Green Street Tupelo, MS 38804 Phone: 662-842-7212 Fax: 662-841-5501

HB-10025

189 Bullock Drive Markham, Ontario Canada L3P 1W4 Phone: 905-294-9570 Fax: 905-294-8911  
 Day-Brite Lighting reserves the right to make changes without notice. © November 2003. DL2.5M1103  
 Day-Brite® Lighting is a Genlyte Thomas Group.

