

CRL6K

6" Capri Recessed LED Retrofit Remodel

Catalog Number: _____

Type: _____

Project: _____



The Capri CRL6K Retrofit LED Series provides the latest in LED technology in an easy to install module that mounts into a variety of Capri 6" recessed housings in minutes. The all-in-one unit comes complete with a medium base socket adapter that screws into the existing incandescent socket. cETL listed and suitable for use in IC and non-IC applications.

Features

- Energy-saving, long life LED technology produces lumens approximately equal to a 65W BR30 lamp.
- Energy efficient - Consumes only 14 watts of energy.
- Long life LEDs designed to perform up to 50,000 hours with 70% lumen maintenance.
- LED module mounts easily with torsion springs into incandescent housings and screws into existing medium base sockets with provided adapter.
- Wide selection of finishing trims, reflectors and baffles, in a variety of finishes to complement any decor.
- Frosted lens provides soft comfortable light.
- cETL listed for IC and non-IC wet applications.

CATALOG SYSTEM AND OPTIONS

SAMPLE CATALOG NUMBER: CRL6K-14-30K-CRL6R-CLR

HOUSING	WATTAGE	COLOR TEMPERATURE	VOLTAGE	REFLECTOR	STYLE	REFLECTOR
CRL6K	- 14	- 30K		CRL6		
CRL6K	14	30K	BLANK	CRL6	R	WHT
6" LED Retrofit Kit	14 watt	3000 Kelvin	120 Volt	6" LED Retrofit Trim Insert	6" Reflector Baffle	White Black Clear Gold



Footnotes:

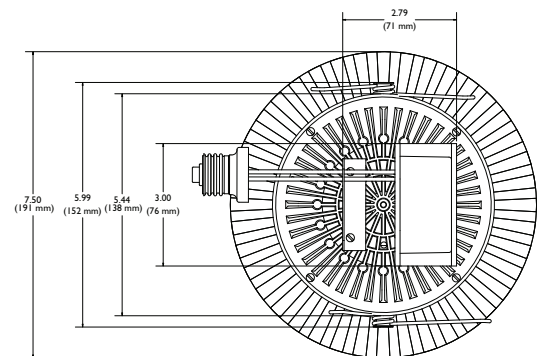
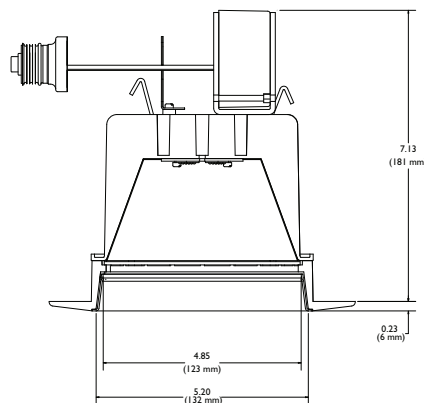
1. Baffle available in white or black only.

SPECIFICATIONS

- Die-Cast Heat Sink** - Large, yet lightweight die-cast aluminum heat sink helps dissipate heat generated by LEDs to ensure long LED life; up to 50,000 hours with 70% lumen maintenance.
- Lower Trim Casting** - Die-cast aluminum lower trim assembly works in conjunction with the die-cast heat sink to help dissipate heat.
- LED Module** - Unique 4-cluster LED module with ceramic board provides light output comparable to a 65W BR30 lamp. Available in 3000K CCT.
- LED Driver** - High efficiency, UL1310 class 2 driver is fully potted and dimmable. See dimming chart for compatible dimming systems.

- Mixing Chamber** - Deep mixing chamber is lined with Miro™ 5 optical material for maximum brightness and efficiency.
- Lens** - Frosted lens works in conjunction with the mixing chamber to deliver high brightness while minimizing glare to provide comfortable, quality illumination.
- Socket Bracket** - convenient bracket to mount existing incandescent bracket.
- Finishing Trims** - A variety of trims snap into the trim casting for a wide choice of appealing looks. Available in smooth reflectors or baffles in clear, gold, white, or black finishes.
- cETL** classified for Wet Locations and Through Branch Circuit Wiring, 4 in/4 out.

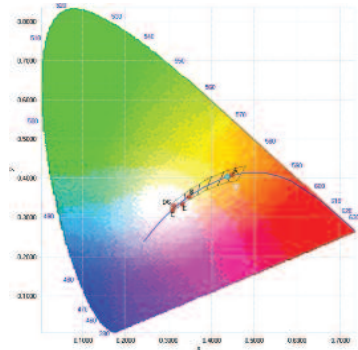
DIMENSIONS



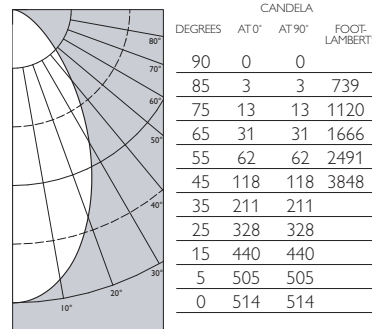
REV. 2/11

CRL6K-14-30K WITH CRL6R-WHT TRIM

Report number: 18312
 Lamp: (1) FOUR CLUSTERS OF 12 WHITE LEDS
 S/MH Ratio (0 degree plane): 0.9
 (90 degree plane): 0.9
 Total Fixture Lumens: 648
 IES file: LTL18312.IES
 Beam Angle: 61.89
 CCT: 2989
 CRI: 82.0



DISTRIBUTION CURVE



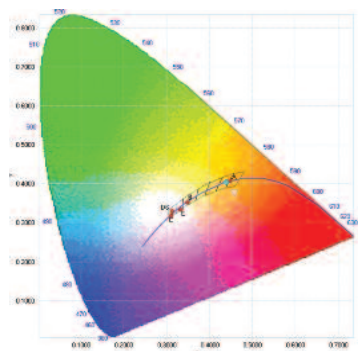
ZONAL LUMEN SUMMARY

ZONE	LUMENS	% of LUMINAIRE
0-30	320.0	49.4%
0-40	451.7	69.7%
0-60	599.9	92.6%
0-90	647.6	100.0%
90-180	0.0	0.0%
0-180	647.6	100.0%

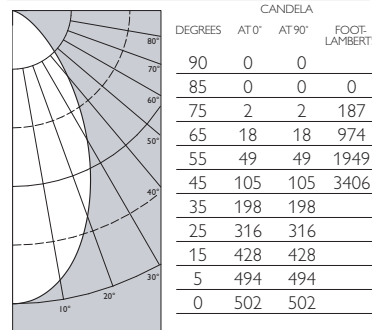
Total lumen Output 647.6 Lumens
 Luminaire efficacy: 46.6 Lumens per Watt
 CIE Type: Direct
 Spacing Criterion: 0.89

CRL6K-14-30K WITH CRL6R-BLK TRIM

Report number: 18314
 Lamp: (1)FOUR CLUSTERS OF 12 WHITE LEDS
 S/MH Ratio (0 degree plane): 0.9
 (90 degree plane): 0.9
 Total Fixture Lumens: 580
 IES file: LTL18314.ies
 Beam Angle: 60.71
 CCT: 2982
 CRI: 82.2



DISTRIBUTION CURVE



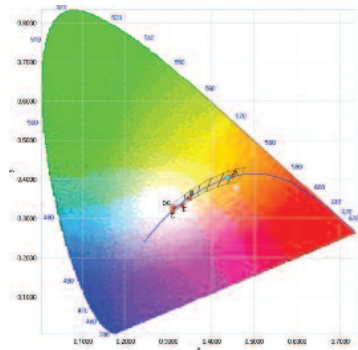
ZONAL LUMEN SUMMARY

ZONE	LUMENS	% of LUMINAIRE
0-30	310.0	53.5%
0-40	433.4	74.7%
0-60	559.0	96.4%
0-90	579.9	100.0%
90-180	0.0	0.0%
0-180	579.9	100.0%

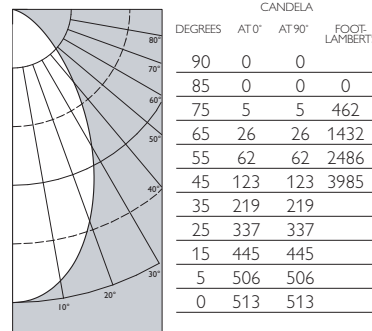
Total lumen Output 579.9 Lumens
 Luminaire efficacy: 48.1 Lumens per Watt
 CIE Type: Direct
 Spacing Criterion: 0.89

CRL6K-14-30K WITH CRL6R-GLD TRIM

Report number: 18316
 Lamp: (1)FOUR CLUSTERS OF 12 WHITE LEDS
 S/MH Ratio (0 degree plane): 0.9
 (90 degree plane): 0.9
 Total Fixture Lumens: 646
 IES file: LTL18316.IES
 Beam Angle: 63.44
 CCT: 2977
 CRI: 82.4



DISTRIBUTION CURVE



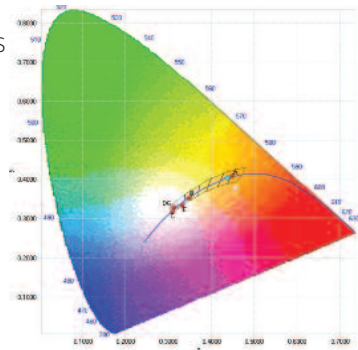
ZONAL LUMEN SUMMARY

ZONE	LUMENS	% of LUMINAIRE
0-30	325.6	50.4%
0-40	462.1	71.5%
0-60	613.4	95.0%
0-90	645.9	100.0%
90-180	0.0	0.0%
0-180	645.9	100.0%

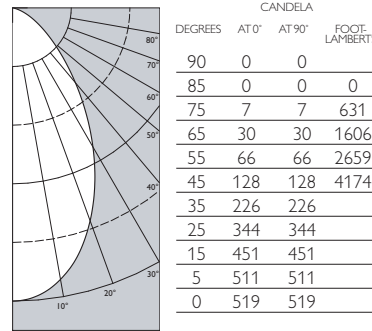
Total lumen Output 645.9 Lumens
 Luminaire efficacy: 46.4 Lumens per Watt
 CIE Type: Direct
 Spacing Criterion: 0.92

CRL6K-14-30K WITH CRL6R-CLR TRIM

Report number: 18318
 Lamp: (1) FOUR CLUSTERS OF 12 WHITE LEDS
 S/MH Ratio (0 degree plane): 0.9
 (90 degree plane): 0.9
 Total Fixture Lumens: 669
 IES file: LTL18318.IES
 CCT: 2991
 CRI: 82.1



DISTRIBUTION CURVE



ZONAL LUMEN SUMMARY

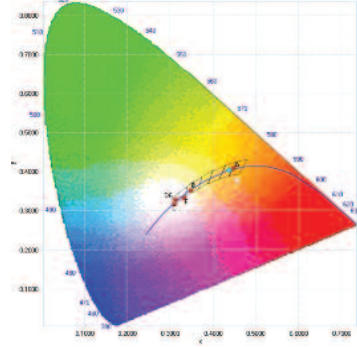
ZONE	LUMENS	% of LUMINAIRE
0-30	331.0	49.5%
0-40	471.9	70.5%
0-60	631.5	94.4%
0-90	669.1	100.0%
90-180	0.0	0.0%
0-180	669.1	100.0%

Total lumen Output 669.1 Lumens
 Luminaire efficacy: 48.1 Lumens per Watt
 CIE Type: Direct
 Spacing Criterion: 0.92

REV. 2/11

CRL6K-14-30K WITH CRL6B-WHT BAFFLE

Report number: 18320
 Lamp: (1)FOUR CLUSTERS OF 12 WHITE LEDS
 S/MH Ratio: (0 degree plane): 0.9
 (90 degree plane): 0.9
 Total Fixture Lumens: 642
 IES file: LTL18320.IES
 Beam Angle: 62.02
 CCT: 2990
 CRI: 82.0



DISTRIBUTION CURVE

DEGREES	CANDELA		FOOT-LAMBERTS
	AT 0°	AT 90°	
90	0	0	
85	3	3	739
75	12	12	1102
65	30	30	1655
55	62	62	2474
45	118	118	3822
35	209	209	
25	325	325	
15	434	434	
5	499	499	
0	508	508	

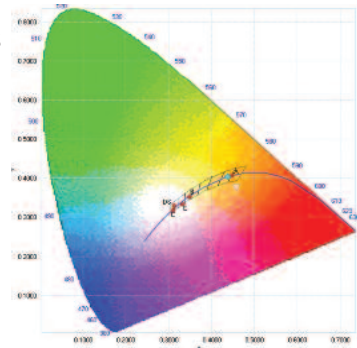
ZONAL LUMEN SUMMARY

ZONE	LUMENS	% of LUMINAIRE
0-30	316.6	49.3%
0-40	447.1	69.7%
0-60	594.4	92.6%
0-90	641.7	100.0%
90-180	0.0	0.0%
0-180	641.7	100.0%

Total lumen Output 641.7 Lumens
 Luminaire efficacy: 46.1 Lumens per Watt
 CIE Type: Direct
 Spacing Criterion: 0.90

CRL6K-14-30K WITH CRL6B-BLK BAFFLE

Report number: 18322
 Lamp: (1) FOUR CLUSTERS OF 12 WHITE LEDS
 S/MH Ratio: (0 degree plane): 0.9
 (90 degree plane): 0.9
 Total Fixture Lumens: 576
 IES file: LTL18322.IES
 Beam Angle: 60.80
 CCT: 2984
 CRI: 82.2



DISTRIBUTION CURVE

DEGREES	CANDELA		FOOT-LAMBERTS
	AT 0°	AT 90°	
90	0	0	
85	0	0	0
75	2	2	213
65	18	18	974
55	48	48	1941
45	104	104	3396
35	196	196	
25	313	313	
15	424	424	
5	489	489	
0	498	498	

ZONAL LUMEN SUMMARY

ZONE	LUMENS	% of LUMINAIRE
0-30	307.3	53.3%
0-40	429.9	74.6%
0-60	555.1	96.3%
0-90	576.3	100.0%
90-180	0.0	0.0%
0-180	576.3	100.0%

Total lumen Output 576.3 Lumens
 Luminaire efficacy: 41.4 Lumens per Watt
 CIE Type: Direct
 Spacing Criterion: 0.89

Recommended Dimmers for CRL6K-14-30K

Electronic Low Voltage Dimmers
 Trailing Edge Dimmers (Reverse Phase Dimmers)

Lutron

Skylark®
 SELV-300P 300 Watt Single pole
 SELV-303P 300 Watt 3-Way

Diva®
 DVELV-300P 300 Watt Single pole
 DVELV-303P 300 Watt Single pole

Maestro®
 MAELV-600 600 Watt Single pole

Nova T®
 NELV-450 450 Watt Single pole

Interface®
 ELVI-1000 1000 Watt Single pole

Leviton

Sureslide®
 R02-06615-P0W 600 Watt Single pole
 R02-06615-P0W 600 Watt 3-way

Vizia®
 VZE06-1LZ 600 Watt Single pole
 VZE06-1LZ 600 Watt 3-way